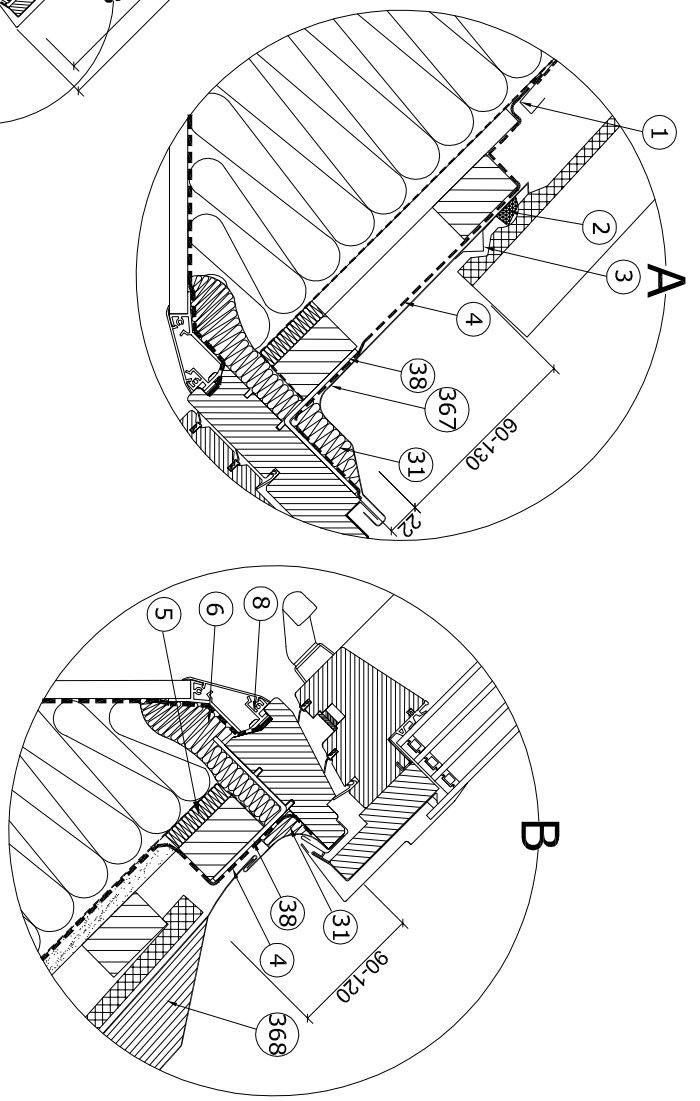


**Warning!** The present drawing is for informational-demonstrative purposes only and as such cannot constitute a basis for performance. All dimensions presented in this drawing should be verified on site. Because of the fact that the drawing is a schematic one, FAKRO shall not assume any responsibility for the actual installation quality on the roof. This drawing is FAKRO's property and cannot be published or used publicly without our written consent.



FTT U8 THERMO		
Frame width S[mm]	Frame height H[mm]	Window symbol
547	981	02
	1181	16
	981	03
657	1181	04
	1401	14
	981	05
	1181	06
	1401	07
777	1601	13
	981	15
	1181	08
	1401	09
	1601	80
	981	20
	1181	10
1137	1401	11
	1601	50
	1181	18
	1401	17

- 1-Water draining gutter
- 2-Polyurethane insulating wedge
- 3-Tile supporting profile
- 4-XDP FAKRO vapour permeable collar
- 5-Tress made of sheep wool FAKRO (XDP)
- 6-Blocks made of sheep wool FAKRO (XDP)
- 8-XLW internal lining horizontal element FAKRO
- 17-Rafter
- 28-FTT U8 THERMO FAKRO pivot window
- 31-Thermal insulation of flashing EH-V-AT THERMO FAKRO
- 38-Installation bracket
- 109-XDS air-tight flashing FAKRO
- 367-EH/V-AT THERMO flashing upper element FAKRO
- 369-EH/V-AT THERMO flashing lower element FAKRO
- 369-EH/V-AT THERMO flashing side element FAKRO

**Vertical and horizontal cross-section:**  
FTT U8 THERMO roof window with EH-V-AT THERMO flashing for high-profiled roofing materials

FTT U8 THERMO	EH-V-AT THERMO	TILE	XLW	15° - 70°

**FORMAT:** A4  
**SCALE:** 1:1/0:1/5  
**DATE:** 06.2011

