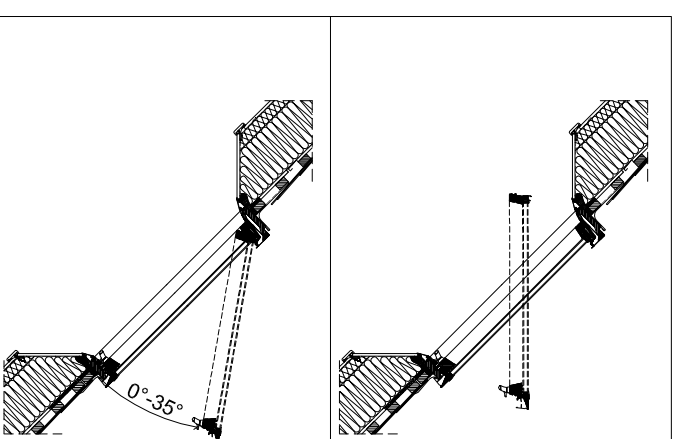


- 1-1 Water draining gutter
- 4-4 DP FAKRO vapour permeable collar
- 5-1 Truss made of sheep wool FAKRO (XDP)
- 6-6 Blocks made of sheep wool FAKRO (XDP)
- 8-XLW Internal lining horizontal element FAKRO
- 17-Rafter
- 38-Installation bracket
- 109-XDS air-tight flashing
- 158-ELV flashing side element FAKRO
- 159-ELV flashing upper element FAKRO
- 160-ELV flashing lower element FAKRO
- 166-Top hung and pivot window FPP-V U3, FPUV U3 preselct FAKRO



FPP-V U3, FPUV U3 preselct

Frame width [Stimm]	Frame height [Himm]	Window symbol
547	980	02
	1180	16
	980	03
657	1180	04
	980	05
	1180	06
777	1400	07
	1600	13
	980	15
	1180	08
	1400	09
937	1400	20
	1600	80*
	980	20
1137	1180	10
	1400	11
	980	12
	1180	18**
1337	1400	17*

*-with roller shutter ARZ - 35°-55°
**-only without roller shutter ARZ

Warning! The present drawing is for informational-demonstrative purposes only and as such cannot constitute a basis for performance. All dimensions presented in this drawing should be verified on site. Because of the fact that the drawing is a schematic one, FAKRO shall not assume any responsibility for the actual installation quality on the roof. This drawing is FAKRO's property and cannot be published or used publicly without our written consent.

FPP-V U3 preselct
 FPUV U3 preselct

ELV

SLATE

XLW

Vertical and horizontal cross-section:
 FPP-V U3, FPUV U3 preselct roof window with ELV flashing
 for flat tiled roofs

FORMAT: A4
 SCALE: 1:10/1:5
 DATE: 07.2011